**NA69/28-XL**

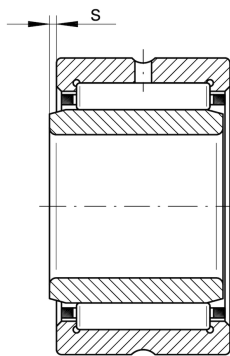
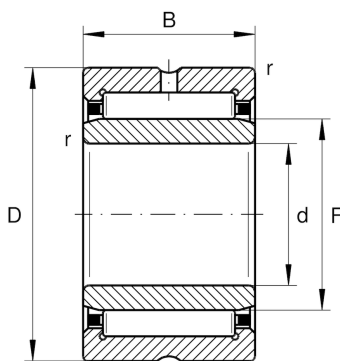
Radial roller bearing

Schaeffler ID:
0507443480000

Radial roller bearing NA..-XL

X-life

Technical information

**Main Dimensions & Performance Data**

d	28 mm	Bore diameter
D	45 mm	Outside diameter
B	30 mm	Width
C_r	45,500 N	Basic dynamic load rating, radial
C_{0r}	63,000 N	Basic static load rating, radial
C_{ur}	11,600 N	Fatigue load limit, radial
n_G	13,600 1/min	Limiting speed
$n_{G \text{ Grease}}$	8,200 1/min	Limiting speed for grease lubrication
n_{gr}	7,100 1/min	Reference speed
	176.2 g	Weight

Dimensions

r_{\min}	0.3 mm	Minimum chamfer dimension
F	32 mm	Raceway diameter inner ring
s	1 mm	Axial displacement

Temperature range

T_{\min}	-30 °C	Operating temperature min.
T_{\max}	120 °C	Operating temperature max.